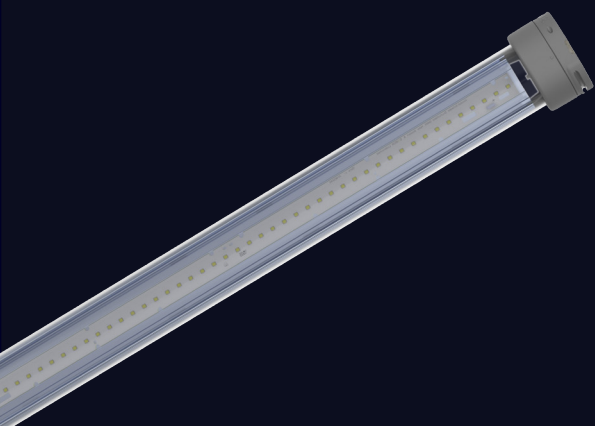


# NEXTGEN

## FIXTURES

- NEXTGEN offers more light per linear meter. Combined with completely new optics, this results in fewer fixtures required while still ensuring the perfect lighting experience and high uniformity across the fixtures. In the end, guaranteeing significant material and energy consumption savings.
- The mechanical and electrical connection between the fixtures can be accomplished in just one mounting step. This plug-and-play principle has been remarkably improved.
- The electrical connection is made by employing industrial WAGO connectors.
- The mechanical locking is accomplished by a completely new developed U-clip. Alligning and mounting the fixtures hereby has become even simpler.
- Expected LED lifespan: Up to 100.000 burning hours.



DC

DD

XC

XD

## General features

### Mechanical

Measurements	2,33 m / 3,45 m
Nominal fixture diameter	Ø 60 mm
Material (housing)	Polycarbonate (UV stabilized)
Material (connector)	Recycled PA
Material (profile)	75% Recycled aluminium
Temperature range	-25 °C - +40 °C
Resistance	IP65 & IK10*

### Electrical

Input	230 Vac, 50Hz, PF >0,9
Transit signals	3 fasen / Emergency / DALI-2

### Optical

CRI	>84
Color quality	3 step
Expected lifespan	L90B10 @>50.000 burning hours



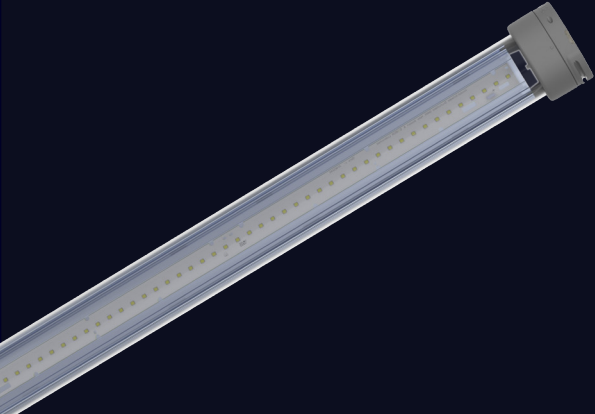
\* Below 0 °C the IK class does not apply.

If the lightline is divided over multiple phases, you must install a phase monitor to ensure that emergency lighting switches of when 1 of the phases fails.

# NEXTGEN

## FIXTURES

- NEXTGEN offers more light per linear meter. Combined with completely new optics, this results in fewer fixtures required while still ensuring the perfect lighting experience and high uniformity across the fixtures. In the end, guaranteeing significant material and energy consumption savings.
- The mechanical and electrical connection between the fixtures can be accomplished in just one mounting step. This plug-and-play principle has been remarkably improved.
- The electrical connection is made by employing industrial WAGO connectors.
- The mechanical locking is accomplished by a completely new developed U-clip. Alligning and mounting the fixtures hereby has become even simpler.
- Expected LED lifespan: Up to 100.000 burning hours.



DC

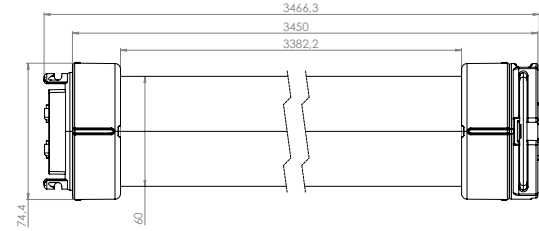
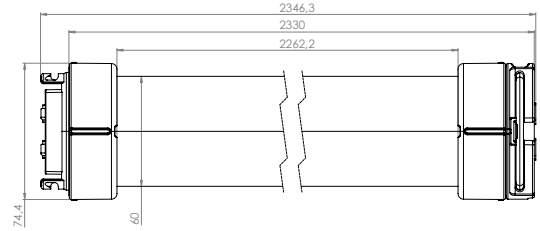
DD

XC

XD

### Configurations

Color temperature	Length	Lumen output	Lens	Emergency
3000K 4000K	< 2,33 m >	04K5 09K5	HR 30° NB 30° MU 60°	D
5000K 6500K	< 3,45 m >	06K0 14K0	MB 60° WB 90° EW 110°	
		08K0 18K0	DF	



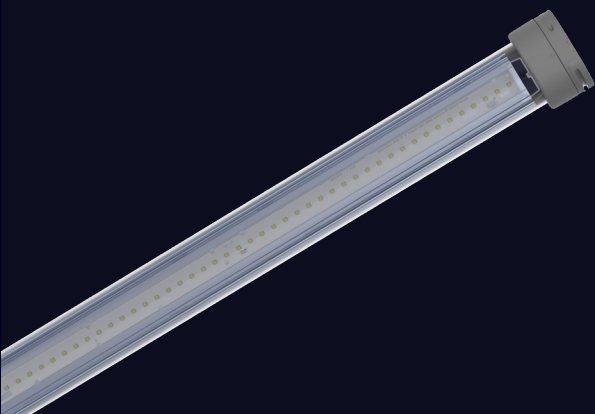
All products, product specifications and data are subject to change without notice to improve reliability, safety, function, design or otherwise.

# NEXTGEN

## FIXTURES

### DALI-2 & CENTRAL EMERGENCY

- These fixtures are perfectly combinable with the most conventional emergency lighting solutions and by using the advanced DALI-2 control system.
- Luminaid can install the fully certified emergency lighting solutions in the fixtures and accordingly deliver them ex-factory.



DC

DD

XC

XD

## Performances

### 3,45 M

	29,4	42,3	51,7	64,5	95,3	129,1	Watt
LUM-NG30DC-XXXX-04K5(E)*	4395 lm						149 lm/W
LUM-NG30DC-XXXX-06K0(E)*	6305 lm						149 lm/W
LUM-NG30DC-XXXX-08K0(E)*	7985 lm						154 lm/W
LUM-NG30DC-XXXX-09K5(E)*	9895 lm						153 lm/W
LUM-NG30DC-XXXX-14K0(E)*	14265 lm						150 lm/W
LUM-NG30DC-XXXX-18K0(E)*	18735 lm						145 lm/W

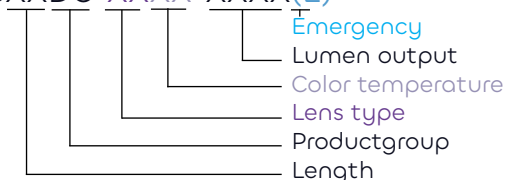
CRI >84

### 2,33 M

	19,4	27,7	35,3	43,1	64,5	87,1	Watt
LUM-NG20DC-XXXX-04K5(E)*	2930 lm						151 lm/W
LUM-NG20DC-XXXX-06K0(E)*	4200 lm						152 lm/W
LUM-NG20DC-XXXX-08K0(E)*	5325 lm						151 lm/W
LUM-NG20DC-XXXX-09K5(E)*	6480 lm						150 lm/W
LUM-NG20DC-XXXX-14K0(E)*	9510 lm						147 lm/W
LUM-NG20DC-XXXX-18K0(E)*	12490 lm						143 lm/W

CRI >84

## LUM-NGXXDC-XXXX-XXXX(E)\*



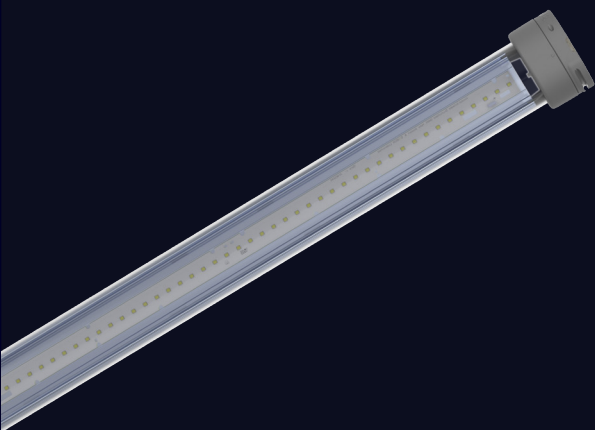
Standard cabling / Emergency fixture  
 04K5 / 06K0 / 08K0 / 09K5 / 14K0 / 18K0  
 3000K / 4000K / 5000K / 6500K  
 HR / NB / MU / MB / WB / EW / DF  
**DC** / DD / XC / XD  
 2,33 m / 3,45 m

# NEXTGEN

## FIXTURES

### DALI-2 & DECENTRAL EMERGENCY

- The NEXTGEN lightline system has two decentralized emergency lighting solutions:
- A variant integrated into the fixture (extension 'E').
- A easily integratable emergency lighting TRONIC.
- This variant is fully controllable via the DALI-2 protocol.



DC

DD

XC

XD

### Performances

#### 3,45 M

	29,4	42,3	51,7	64,5	95,3	129,1	Watt
LUM-NG30DD-XXXX-04K5(E)*	4395 lm						149 lm/W
LUM-NG30DD-XXXX-06K0(E)*	6305 lm						149 lm/W
LUM-NG30DD-XXXX-08K0(E)*	7985 lm						154 lm/W
LUM-NG30DD-XXXX-09K5(E)*	9895 lm						153 lm/W
LUM-NG30DD-XXXX-14K0(E)*	14265 lm						150 lm/W
LUM-NG30DD-XXXX-18K0(E)*	18735 lm						145 lm/W

CRI >84

#### 2,33 M

	19,4	27,7	35,3	43,1	64,5	87,1	Watt
LUM-NG20DD-XXXX-04K5(E)*	2930 lm						151 lm/W
LUM-NG20DD-XXXX-06K0(E)*	4200 lm						152 lm/W
LUM-NG20DD-XXXX-08K0(E)*	5325 lm						151 lm/W
LUM-NG20DD-XXXX-09K5(E)*	6480 lm						150 lm/W
LUM-NG20DD-XXXX-14K0(E)*	9510 lm						147 lm/W
LUM-NG20DD-XXXX-18K0(E)*	12490 lm						143 lm/W

CRI >84

### LUM-NGXXXC-XXXX-XXXX(E)\*



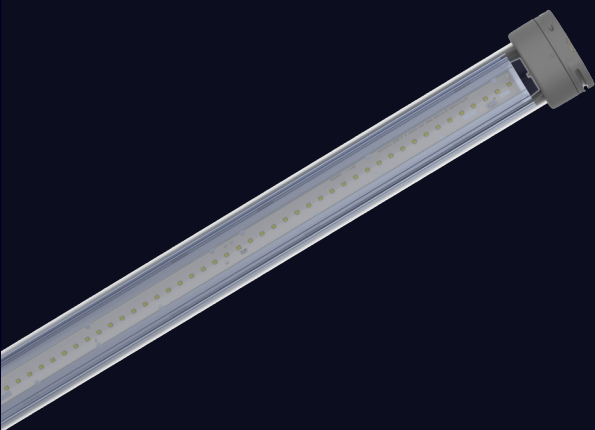
Standard cabling / Emergency fixture  
 04K5 / 06K0 / 08K0 / 09K5 / 14K0 / 18K0  
 3000K / 4000K / 5000K / 6500K  
 HR / NB / MU / MB / WB / EW / DF  
 DC / **DD** / XC / XD  
 2,33 m / 3,45 m

# NEXTGEN

## FIXTURES

### CENTRAL EMERGENCY

- These fixtures are perfectly combinable with the most conventional emergency lighting solutions but **without** the advanced DALI-2 control system.
- Luminaid can install the fully certified emergency lighting solutions in the fixtures and accordingly deliver them ex-factory.



## Performances

### 3,45 M

	29,4	42,3	51,7	64,5	95,3	129,1	Watt
LUM-NG30XC-XXXX-04K5(E)*	4395 lm						149 lm/W
LUM-NG30XC-XXXX-06K0(E)*	6305 lm						149 lm/W
LUM-NG30XC-XXXX-08K0(E)*	7985 lm						154 lm/W
LUM-NG30XC-XXXX-09K5(E)*	9895 lm						153 lm/W
LUM-NG30XC-XXXX-14K0(E)*	14265 lm						150 lm/W
LUM-NG30XC-XXXX-18K0(E)*	18735 lm						145 lm/W

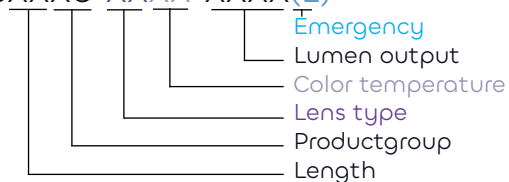
CRI >84

### 2,33 M

	19,4	27,7	35,3	43,1	64,5	87,1	Watt
LUM-NG20XC-XXXX-04K5(E)*	2930 lm						151 lm/W
LUM-NG20XC-XXXX-06K0(E)*	4200 lm						152 lm/W
LUM-NG20XC-XXXX-08K0(E)*	5325 lm						151 lm/W
LUM-NG20XC-XXXX-09K5(E)*	6480 lm						150 lm/W
LUM-NG20XC-XXXX-14K0(E)*	9510 lm						147 lm/W
LUM-NG20XC-XXXX-18K0(E)*	12490 lm						143 lm/W

CRI >84

LUM-NGXXXC-XXXX-XXXX(E)\*



Standard cabling / Emergency fixture  
 04K5 / 06K0 / 08K0 / 09K5 / 14K0 / 18K0  
 3000K / 4000K / 5000K / 6500K  
 HR / NB / MU / MB / WB / EW / DF  
 DC / DD / **XC** / XD  
 2,33 m / 3,45 m

DC

DD

XC

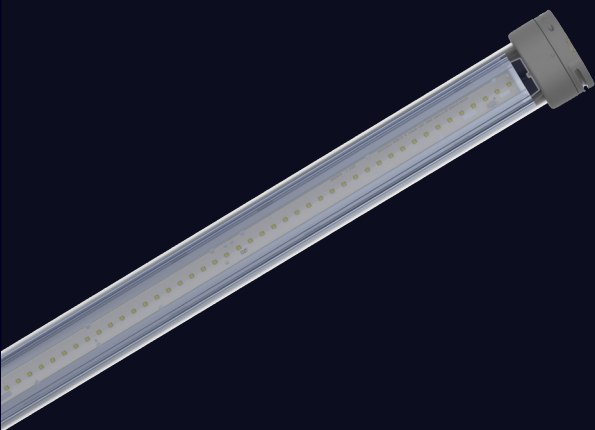
XD

# NEXTGEN

## FIXTURES

### DECENTRAL EMERGENCY

- The NEXTGEN lightline system has two decentralized emergency lighting solutions:
- A variant integrated into the fixture (extension 'E').
- A easily integratable emergency lighting TRONIC.
- This variant is **not** controllable via the DALI-2 protocol.



DC

DD

XC

XD

## Performances

### 3,45 M

	29,4	42,3	51,7	64,5	95,3	129,1	Watt
LUM-NG30XD-XXXX-04K5(E)*	4395 lm						149 lm/W
LUM-NG30XD-XXXX-06K0(E)*	6305 lm						149 lm/W
LUM-NG30XD-XXXX-08K0(E)*	7985 lm						154 lm/W
LUM-NG30XD-XXXX-09K5(E)*	9895 lm						153 lm/W
LUM-NG30XD-XXXX-14K0(E)*	14265 lm						150 lm/W
LUM-NG30XD-XXXX-18K0(E)*	18735 lm						145 lm/W

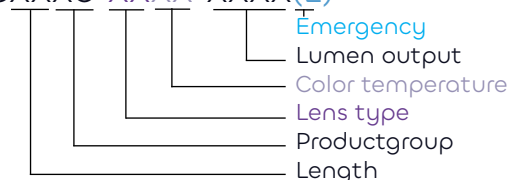
CRI >84

### 2,33 M

	19,4	27,7	35,3	43,1	64,5	87,1	Watt
LUM-NG20XD-XXXX-04K5(E)*	2930 lm						151 lm/W
LUM-NG20XD-XXXX-06K0(E)*	4200 lm						152 lm/W
LUM-NG20XD-XXXX-08K0(E)*	5325 lm						151 lm/W
LUM-NG20XD-XXXX-09K5(E)*	6480 lm						150 lm/W
LUM-NG20XD-XXXX-14K0(E)*	9510 lm						147 lm/W
LUM-NG20XD-XXXX-18K0(E)*	12490 lm						143 lm/W

CRI >84

LUM-NGXXXC-XXXX-XXXX(E)\*



Standard cabling / Emergency fixture  
 04K5 / 06K0 / 08K0 / 09K5 / 14K0 / 18K0  
 3000K / 4000K / 5000K / 6500K  
 HR / NB / MU / MB / WB / EW / DF  
 DC / DD / **XC** / XD  
 2,33 m / 3,45 m