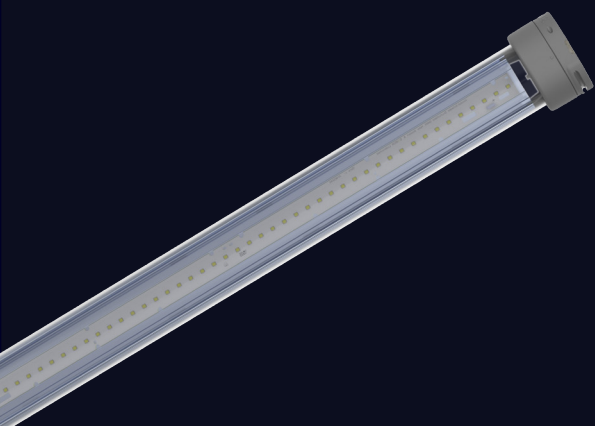


NEXTGEN

FIXTURES

CENTRAL EMERGENCY

- NEXTGEN offers more light per linear meter. Combined with completely new optics, this results in fewer fixtures required while still ensuring the perfect lighting experience and high uniformity across the fixtures. In the end, guaranteeing significant material and energy consumption savings.
- The mechanical and electrical connection between the fixtures can be accomplished in just one mounting step. This plug-and-play principle has been remarkably improved.
- The electrical connection is made by employing industrial WAGO connectors.
- The mechanical locking is accomplished by a completely new developed U-clip. Alligning and mounting the fixtures hereby has become even simpler.
- Expected LED lifespan: Up to 100.000 burning hours.



DC

DD

XC

XD

General features

Mechanical

Measurements	2,33 m / 3,45 m
Nominal fixture diameter	Ø 60 mm
Material (housing)	Polycarbonate (UV stabilized)
Material (connector)	Recycled PA
Material (profile)	75% Recycled aluminium
Temperature range	-25 °C - +40 °C
Resistance	IP65 & IK10*

Electrical

Input	230 Vac, 50Hz, PF >0,9
Transit signals	3 fasen / Emergency / DALI-2

Optical

CRI	>84
Color quality	3 step
Expected lifespan	L90B10 @>50.000 burning hours
Lightoutput emergency	835 lm / 790 lm

Adress module (not included)

Brand	Eaton
Type	V-CG-SE / V-CG-SB.1 (DALI)

Emergency UPS (not included)

Brand	Eaton
Type	LP-star



* Below 0 °C the IK class does not apply.

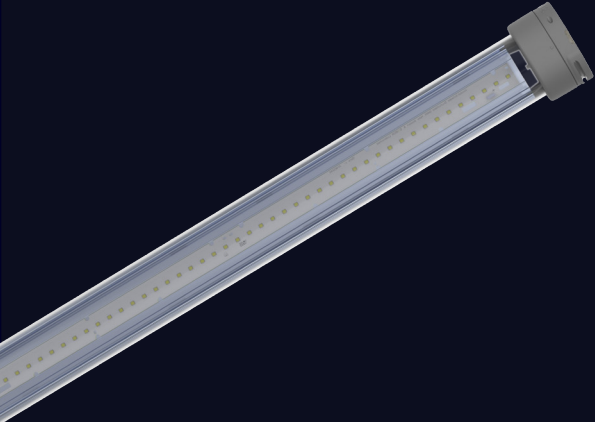
If the lightline is divided over multiple phases, you must install a phase monitor to ensure that emergency lighting switches of when 1 of the phases fails.

NEXTGEN

FIXTURES

CENTRAL EMERGENCY

- NEXTGEN offers more light per linear meter. Combined with completely new optics, this results in fewer fixtures required while still ensuring the perfect lighting experience and high uniformity across the fixtures. In the end, guaranteeing significant material and energy consumption savings.
- The mechanical and electrical connection between the fixtures can be accomplished in just one mounting step. This plug-and-play principle has been remarkably improved.
- The electrical connection is made by employing industrial WAGO connectors.
- The mechanical locking is accomplished by a completely new developed U-clip. Alligning and mounting the fixtures hereby has become even simpler.
- Expected LED lifespan: Up to 100.000 burning hours.



DC

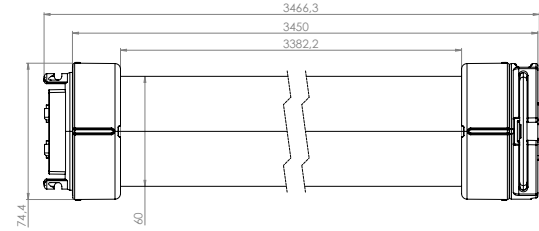
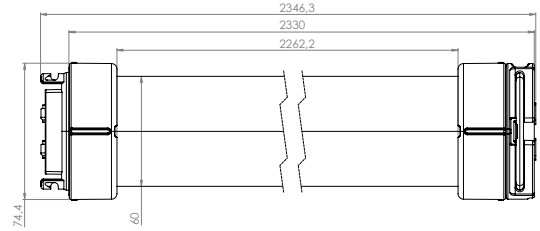
DD

XC

XD

Configurations

Color temperature	Length	Lumen output	Lens	Emergency
<div style="display: flex; gap: 10px;"> <div style="border: 1px solid black; border-radius: 50%; padding: 5px; text-align: center;">3000K</div> <div style="border: 1px solid black; border-radius: 50%; padding: 5px; text-align: center;">4000K</div> </div>	< 2,33 m >	<div style="display: flex; gap: 10px;"> <div style="border: 1px solid black; border-radius: 50%; padding: 5px; text-align: center;">04K5</div> <div style="border: 1px solid black; border-radius: 50%; padding: 5px; text-align: center;">09K5</div> </div>	<div style="display: flex; gap: 10px;"> <div style="text-align: center;">HR ▲ 30°</div> <div style="text-align: center;">NB ▲ 30°</div> <div style="text-align: center;">MU ▲ 60°</div> </div>	<div style="border: 1px solid black; border-radius: 50%; padding: 5px; text-align: center;">D 🔋</div>
<div style="display: flex; gap: 10px;"> <div style="border: 1px solid black; border-radius: 50%; padding: 5px; text-align: center;">5000K</div> <div style="border: 1px solid black; border-radius: 50%; padding: 5px; text-align: center;">6500K</div> </div>	< 3,45 m >	<div style="display: flex; gap: 10px;"> <div style="border: 1px solid black; border-radius: 50%; padding: 5px; text-align: center;">06K0</div> <div style="border: 1px solid black; border-radius: 50%; padding: 5px; text-align: center;">14K0</div> </div>	<div style="display: flex; gap: 10px;"> <div style="text-align: center;">MB ▲ 60°</div> <div style="text-align: center;">WB ▲ 90°</div> <div style="text-align: center;">EW ▲ 110°</div> </div>	
		<div style="border: 1px solid black; border-radius: 50%; padding: 5px; text-align: center;">08K0</div> <div style="border: 1px solid black; border-radius: 50%; padding: 5px; text-align: center;">18K0</div>	<div style="text-align: center;">DF ●</div>	



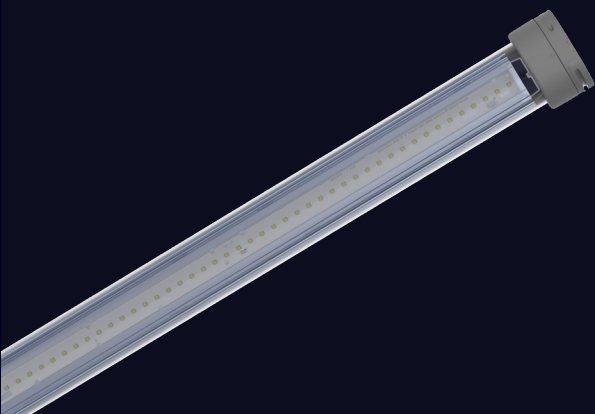
All products, product specifications and data are subject to change without notice to improve reliability, safety, function, design or otherwise.

NEXTGEN

FIXTURES

DALI-2 & CENTRAL EMERGENCY

- These fixtures are perfectly combinable with the most conventional emergency lighting solutions and by using the advanced DALI-2 control system.
- Luminaid can install the fully certified emergency lighting solutions in the fixtures and accordingly deliver them ex-factory.



DC

DD

XC

XD

Performances

3,45 M

	29,4	42,3	51,7	64,5	95,3	129,1	Watt
LUM-NG30DC-XXXX-04K5E	4395 lm						149 lm/W
LUM-NG30DC-XXXX-06K0E	6305 lm						149 lm/W
LUM-NG30DC-XXXX-08K0E	7985 lm						154 lm/W
LUM-NG30DC-XXXX-09K5E	9895 lm						153 lm/W
LUM-NG30DC-XXXX-14K0E	14265 lm						150 lm/W
LUM-NG30DC-XXXX-18K0E	18735 lm						145 lm/W

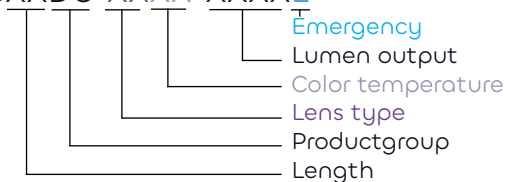
CRI >84

2,33 M

	19,4	27,7	35,3	43,1	64,5	87,1	Watt
LUM-NG20DC-XXXX-04K5E	2930 lm						151 lm/W
LUM-NG20DC-XXXX-06K0E	4200 lm						152 lm/W
LUM-NG20DC-XXXX-08K0E	5325 lm						151 lm/W
LUM-NG20DC-XXXX-09K5E	6480 lm						150 lm/W
LUM-NG20DC-XXXX-14K0E	9510 lm						147 lm/W
LUM-NG20DC-XXXX-18K0E	12490 lm						143 lm/W

CRI >84

LUM-NGXXDC-XXXX-XXXXE

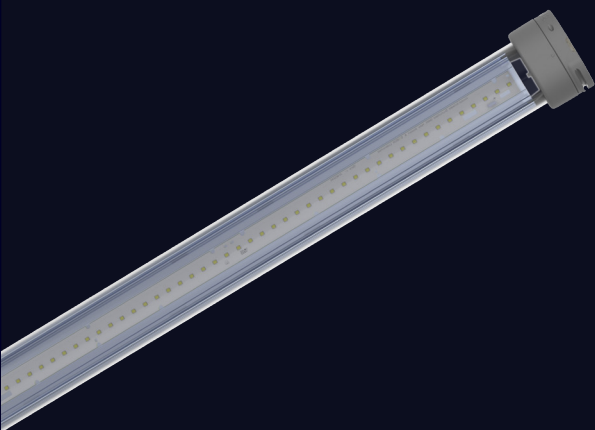


Standard cabling / Emergency fixture
 04K5 / 06K0 / 08K0 / 09K5 / 14K0 / 18K0
 3000K / 4000K / 5000K / 6500K
 HR / NB / MU / MB / WB / EW / DF
DC / XC
 2,33 m / 3,45 m

NEXTGEN

FIXTURES CENTRAL EMERGENCY

- These fixtures are perfectly combinable with the most conventional emergency lighting solutions but **without** the advanced DALI-2 control system.
- Luminaid can install the fully certified emergency lighting solutions in the fixtures and accordingly deliver them ex-factory.



Performances

3,45 M

	29,4	42,3	51,7	64,5	95,3	129,1	Watt
LUM-NG30XC-XXXX-04K5E	4395 lm						149 lm/W
LUM-NG30XC-XXXX-06K0E	6305 lm						149 lm/W
LUM-NG30XC-XXXX-08K0E	7985 lm						154 lm/W
LUM-NG30XC-XXXX-09K5E	9895 lm						153 lm/W
LUM-NG30XC-XXXX-14K0E	14265 lm						150 lm/W
LUM-NG30XC-XXXX-18K0E	18735 lm						145 lm/W

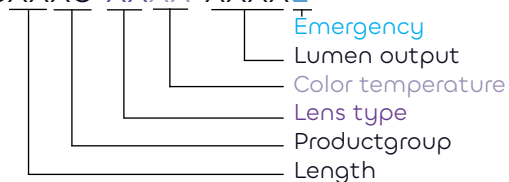
CRI >84

2,33 M

	19,4	27,7	35,3	43,1	64,5	87,1	Watt
LUM-NG20XC-XXXX-04K5E	2930 lm						151 lm/W
LUM-NG20XC-XXXX-06K0E	4200 lm						152 lm/W
LUM-NG20XC-XXXX-08K0E	5325 lm						151 lm/W
LUM-NG20XC-XXXX-09K5E	6480 lm						150 lm/W
LUM-NG20XC-XXXX-14K0E	9510 lm						147 lm/W
LUM-NG20XC-XXXX-18K0E	12490 lm						143 lm/W

CRI >84

LUM-NGXXXC-XXXX-XXXXE



Standard cabling / Emergency fixture
 04K5 / 06K0 / 08K0 / 09K5 / 14K0 / 18K0
 3000K / 4000K / 5000K / 6500K
 HR / NB / MU / MB / WB / EW / DF
 DC / **XC**
 2,33 m / 3,45 m

DC

DD

XC

XD