

CONNECTS: CAP.IN CONNECTION BOX

- The CAP.IN is a connection box that is mounted at the beginning of the light line. It has all possible connections for the DATALUX.LT light line system. All cables are connected dust- and splash-water-tight via cable glands and the cables are safely connected from the inside by Wago connection terminals. Two cables are pre-assembled for the external driver (PSU).

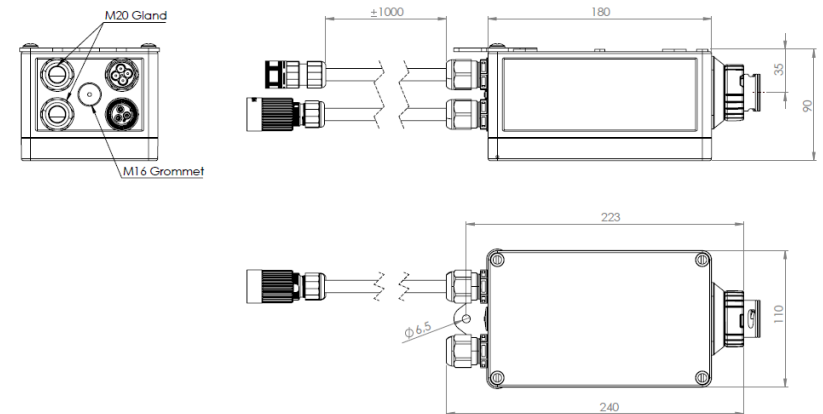


Features

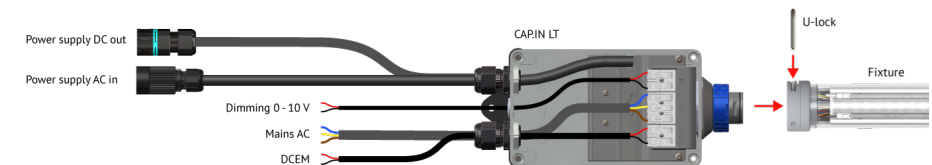
article nr.: LUM-DL02LT-INBX-0000

Dimensions box (LxWxH)	180 x 110 x 90 mm
IP-class	IP65
IK-class	IK07
Connectable signals	AC, DC, Emergency lighting, 0-10V lighting control
Length AC cable CAP.IN	±1000 mm
Length DC cable CAP.IN	±1000 mm
Material	PS, PA
Temperature range	-25°C ~ +35°C
Weight	925 g

CAP.IN



CAP.IN



All products, product specifications and data are subject to change without notice to improve reliability, safety, function, design or otherwise.