

# DATA LUX

## INSTALL-TOOLS: CLAMP 40mm ZS MOUNTING BRACKET

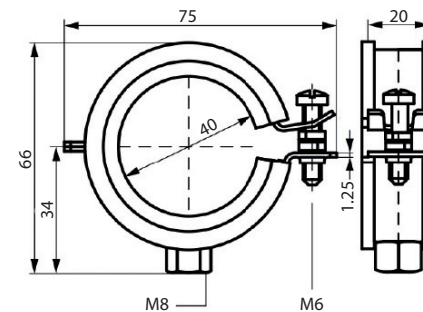
- This mounting bracket can be used to mount the DATA LUX light line system. With this bracket, the light line can be mounted directly to a screw anchor or suspended with a threaded rod or hook and chain.
- The mounting hole has an M8 thread.
- With removable spacers making the bracket suitable for both sliding and clamping suspension.
- The bracket is electrolytically galvanized.
- The insert is made of EPDM and therefore aging resistant.



### Features

article no.: LUM-LS00xx-CLMP-ZS40

Dimensions (l x w x h)	75 mm x 20 mm x 66 mm
Inside diameter	Ø40 mm
Mounting diameter	M8
Material	Galvanized steel / EPDM
Weight	75 g
Temperature range	-30°C ~ +120°C



### Mounting examples

