

INSTALL-TOOLS: CLAMP 40mm ZS MOUNTING BRACKET

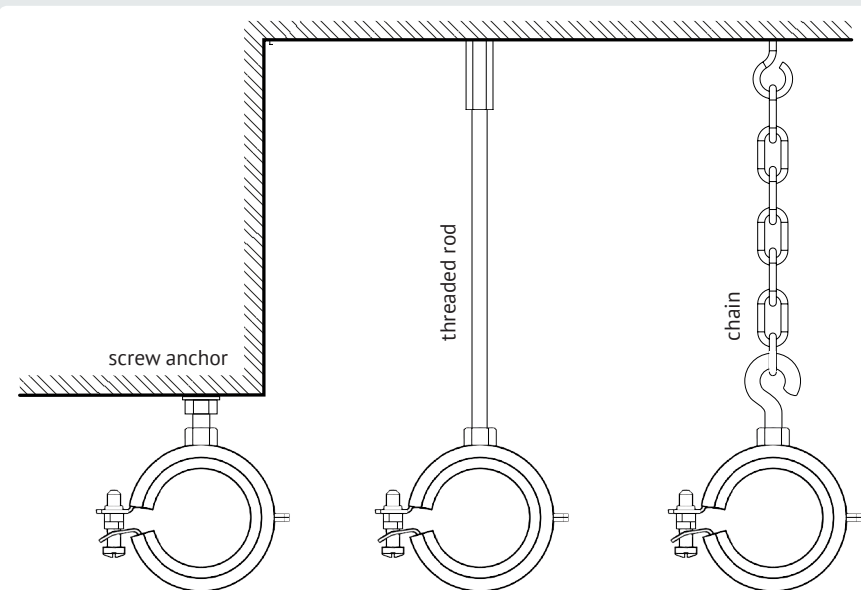
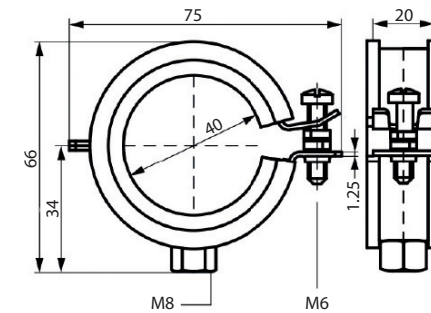
- This mounting bracket can be used to mount the DATALUX light line system. With this bracket, the light line can be mounted directly to a screw anchor or suspended with a threaded rod or hook and chain.
- The mounting hole has an M8 thread.
- With removable spacers making the bracket suitable for both sliding and clamping suspension.
- The bracket is electrolytically galvanized.
- The insert is made of EPDM and therefore aging resistant.



Features

article nr.: LUM-LS00xx-CLMP-ZS40

Dimensions (lxwxh)	75 mm x 20 mm x 66 mm
Inside diameter	Ø40 mm
Mounting diameter	M8
Material	Galvanized steel / EPDM
Weight	75 g
Temperature range	-30°C ~ +120°C



Mounting examples

All products, product specifications and data are subject to change without notice to improve reliability, safety, function, design or otherwise.