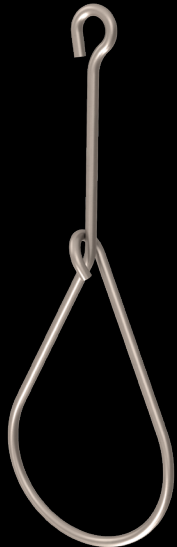


## INSTALL-TOOLS: CLAMP 40mm SL MOUNTING BRACKET

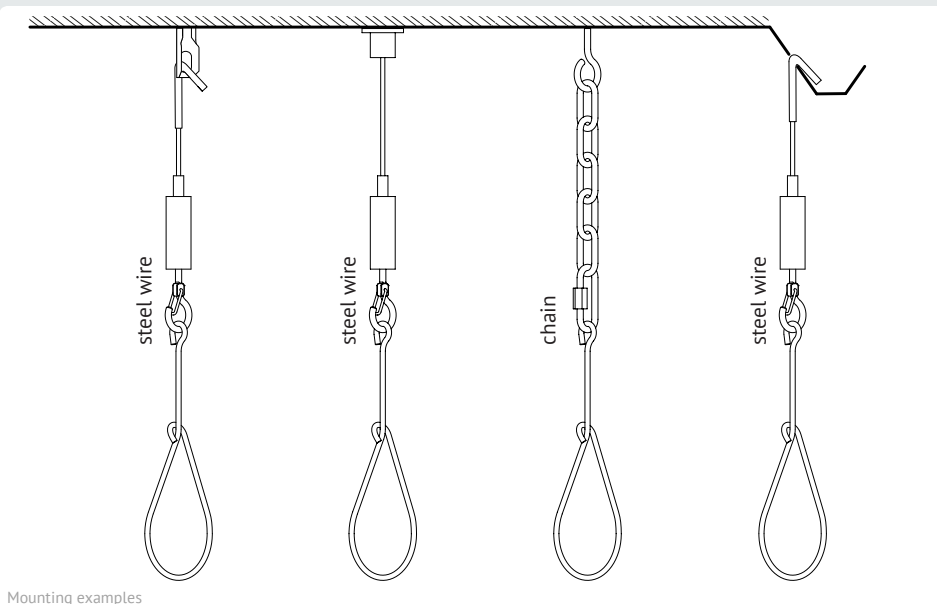
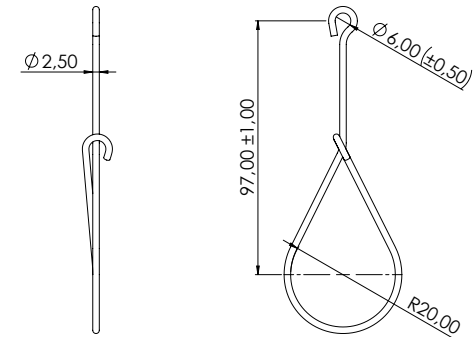
- This mounting bracket can be used to mount the DATALUX light line system. With this bracket, the light line can be suspended with a steel cable, hook or chain.
- The mounting hole is 6 mm in diameter.
- This bracket is ideal for refrigerated areas and food processing companies.



### Features

article nr.: LUM-LS00xx-CLMP-SL40

Dimensions (lxwxh)	45 mm x 2,5 mm x 125 mm
Inside diameter	Ø40 mm
Mounting diameter	6 mm (±0,5)
Material	Stainless steel AISI 316
Weight	10 g
Temperature range	-40°C ~ +400°C



Mounting examples

All products, product specifications and data are subject to change without notice to improve reliability, safety, function, design or otherwise.