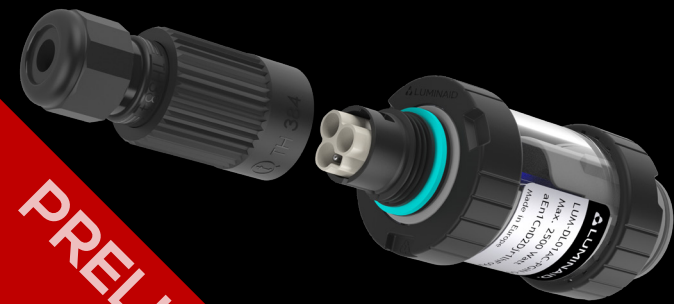


CONNECTS: PLUG.IN 000A POWER SUPPLY CABLE

- Due to their multifunctional connector, the DATALUX light lines can not be connected directly to the AC power supply.
- With this PLUG.IN 000A it is possible to connect the light line to the power supply.
- After installation of the power plug, the rest of the light line is completely plug & play.
- With this minimalist version, only the AC power supply connection is provided so dimming is not possible. For this option, select the PLUG.IN 00CA.



PRELIMINARY

Features

article no.: LUM-DL01AC-PGIN-000A

Dimensions

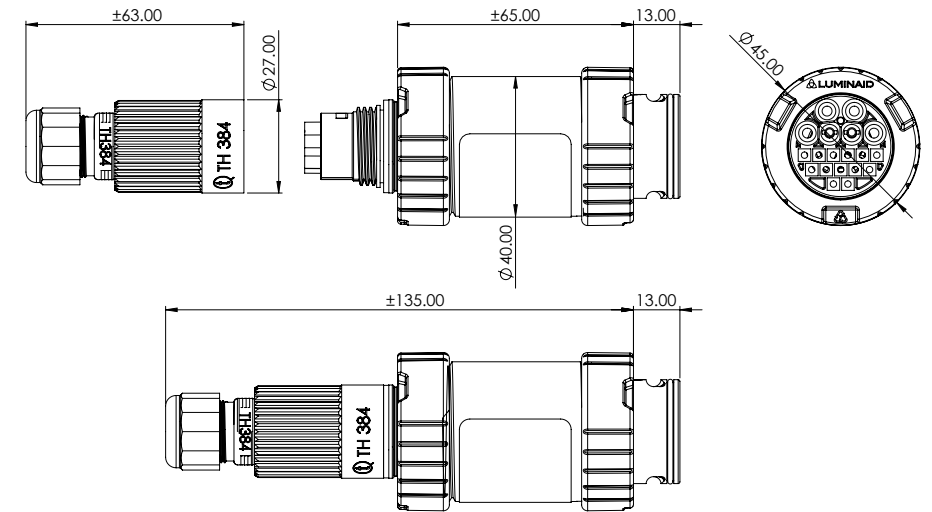
148 x Ø40 x Ø45 mm

IP class

IP65 (mounted)

Passed signals

AC power supply



All products, product specifications and data are subject to change without notice to improve reliability, safety, function, design or otherwise.

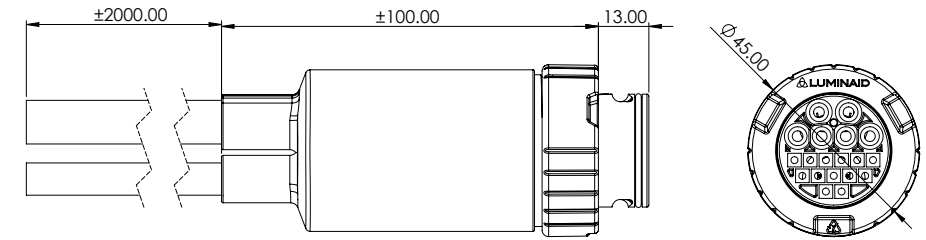
CONNECTS: PLUG.IN 00CA POWER SUPPLY CABLE

- Due to their multifunctional connector, the DATALUX light lines can not be connected directly to the AC power supply.
- With this PLUG.IN 00CA it is possible to connect the light line to the power supply.
- After installation of this PLUG.IN 00CA, the rest of the light line is completely plug & play.
- With this PLUG.IN 00CA it is possible to connect both AC power supply and Control (0 - 10 V dimming).

Features

article no.: LUM-DL21AC-PGIN-00CA

Dimensions	113 x Ø45 mm
Cable length	±2000 mm
IP class	IP65 (mounted)
Passed signals	AC power supply, Control (0-10 V dimming)



All products, product specifications and data are subject to change without notice to improve reliability, safety, function, design or otherwise.



PRELIMINARY