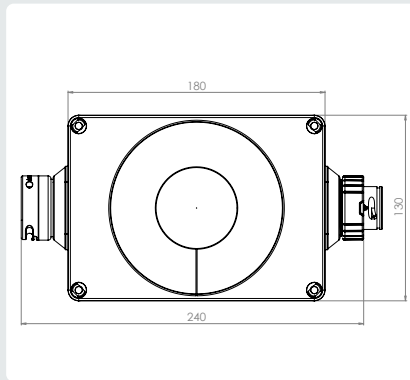


LT TRONICS: PRESENCE DETECTION HIGHBAY PIR SENSOR

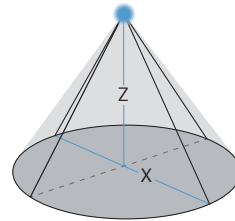
- With this presence detector, the light switches on when presence is detected. This enables maximized power savings, without compromising the ease of use of the DATA LUX light system.
- This Tronic can be integrated with DATA LUX.LT and DATA LUX.AC lighting systems.
- The switching direction of the sensor can be set separately, so one can choose to power one side constantly and the other side switching on the sensor.
- With the standby setting, you can choose to switch off lighting or reduce light output to 10% when no detection takes place. This setting can be set separately on both sides of the sensor.



Feature

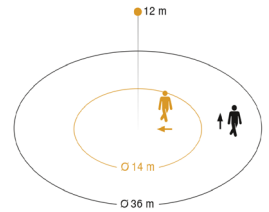
Input voltage	220 - 240 V _{AC} , 50/60 Hz
Input power	1 Watt
Type of sensor	PIR by Steinel
Dimensions (lxwxh)	180 x 130 x 130 mm
Time interval	5 sec. - 15 min.
IP class	IP54
Weight	715 g
Temperature range	-20°C ~ +40°C
Suspension height	4 - 14 m

High Bay Circular

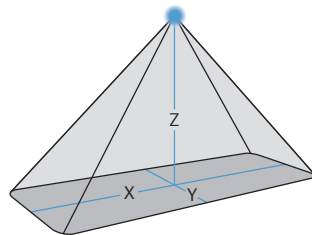


article nr.: LUM-DL02LT-SNSR-PRHC

Detection area radial at 12 m	Ø14 m (X)
Detection area tangential at 12 m	Ø36 m (X)
Maximum suspension height	14 m (Z)
Minimum suspension height	4 m (Z)

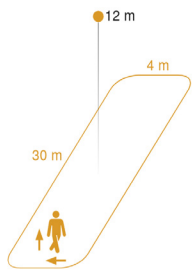


High Bay Elliptical



article nr.: LUM-DL02LT-SNSR-PRHE

Detection area radial at 12 m	30 m x 4 m (XY)
Detection area tangential at 12 m	30 m x 4 m (XY)
Maximum suspension height	14 m (Z)
Minimum suspension height	4 m (Z)



Switching directions

Forward	→
Backward	←
Both	↔

Sync / Solo

Synchronize sensors or switch areas individually

Duration / light

5 sec-15 min 2-1000 lux

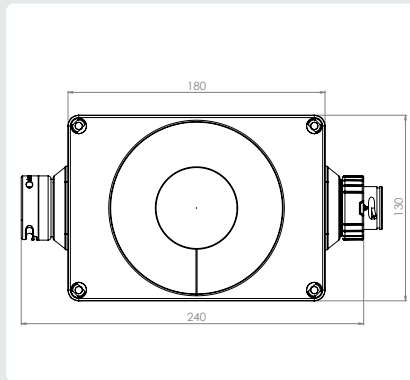
Standby mode

Available positions:
-0% / Off
-10%

All products, product specifications and data are subject to change without notice to improve reliability, safety, function, design or otherwise.

LT TRONICS: PRESENCE DETECTION LOWBAY PIR SENSOR

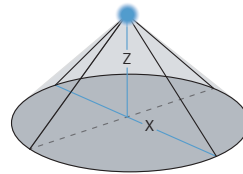
- With this presence detector, the light switches on when presence is detected. This enables maximized power savings, without compromising the ease of use of the DATA LUX light system.
- This Tronic can be integrated with DATA LUX.LT and DATA LUX.AC lighting systems.
- The switching direction of the sensor can be set separately, so one can choose to power one side constantly and the other side switching on the sensor.
- With the standby setting, you can choose to switch off lighting or reduce light output to 10% when no detection takes place. This setting can be set separately on both sides of the sensor.



Feature

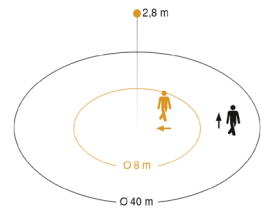
Input voltage	220 - 240 V _{AC} , 50/60 Hz
Input power	1 Watt
Type of sensor	PIR by Steinel
Dimensions (lxwxh)	180 x 130 x 130 mm
Time interval	5 sec. - 15 min.
IP class	IP54
Weight	715 g
Temperature range	-20°C ~ +40°C
Suspension height	2.5 - 4 m

Low Bay Circular

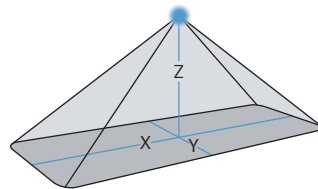


article nr.: LUM-DL02LT-SNSR-PRLC

Detection area radial at 2.8 m	Ø8 m (X)
Detection area tangential at 2.8 m	Ø40 m (X)
Maximum suspension height	4 m (Z)
Minimum suspension height	2.5 m (Z)

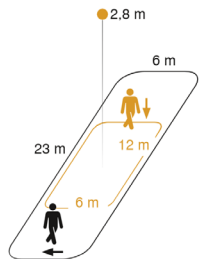


Low Bay Elliptical



article nr.: LUM-DL02LT-SNSR-PRLE

Detection area radial at 2.8 m	12 m x 6 m (XY)
Detection area tangential at 2.8 m	23 m x 6 m (XY)
Maximum suspension height	4 m (Z)
Minimum suspension height	2.5 m (Z)



Switching directions

Forward	→
Backward	←
Both	↔

Sync / Solo

Synchronize sensors or switch areas individually

Duration / light

5 sec-15 min 2-1000 lux

Standby mode

Available positions:
-0% / Off
-10%

All products, product specifications and data are subject to change without notice to improve reliability, safety, function, design or otherwise.