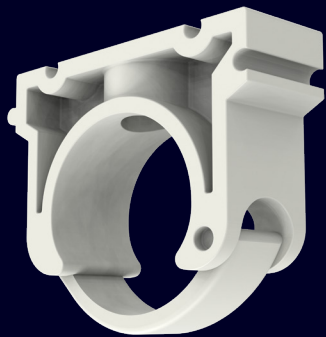


DATA LUX

INSTALL-TOOLS: CLAMP 40mm MOUNTING BRACKET

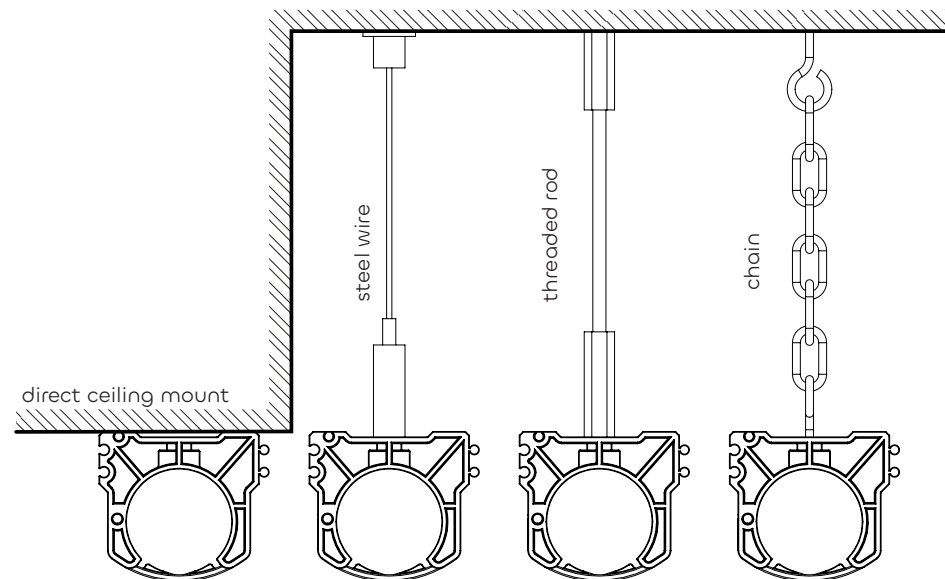
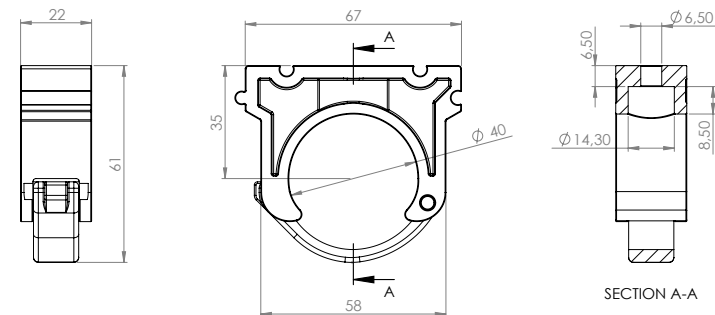
- This mounting bracket can be used to mount the DATA LUX light line system.
- With this bracket, the light line can be attached directly to the ceiling, but can also be suspended with a steel cable, threaded rod or chain.
- An M6 bolt with an M6 nut fits into the mounting hole.



Features

article no.: LUM-LS00xx-CLMP-PP40

Dimensions (lxwxh)	71mm x 61mm x 20mm x Ø40mm
Inside diameter	Ø40 mm
Mounting diameter	M6
Material	PP
Weight	24 g
Temperature range	0°C ~ +50°C

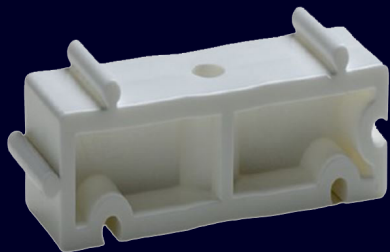


DATA LUX

INSTALL-TOOLS

SPACER CLMP-PP40

- This mounting bracket can be used to mount the DATA LUX light line system.
- With this bracket, the light line can be attached directly to the ceiling, but can also be suspended with a steel cable, threaded rod or chain.
- An M6 bolt with an M6 nut fits into the mounting hole.



Features

article no.: LUM-LS00xx-SPCR-PP40

Dimensions	H:20 Z1:33.5 Z2:33.5 E:22 C:10 d3:6.5
Material	PVC-U
Temperature range	0°C ~ +50°C

