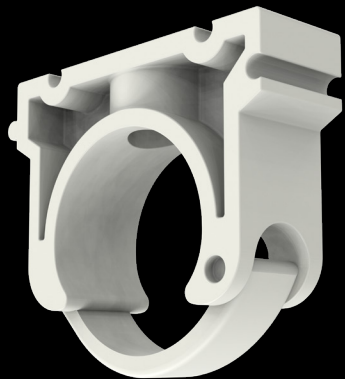


## INSTALL-TOOLS: CLAMP 40mm MOUNTING BRACKET

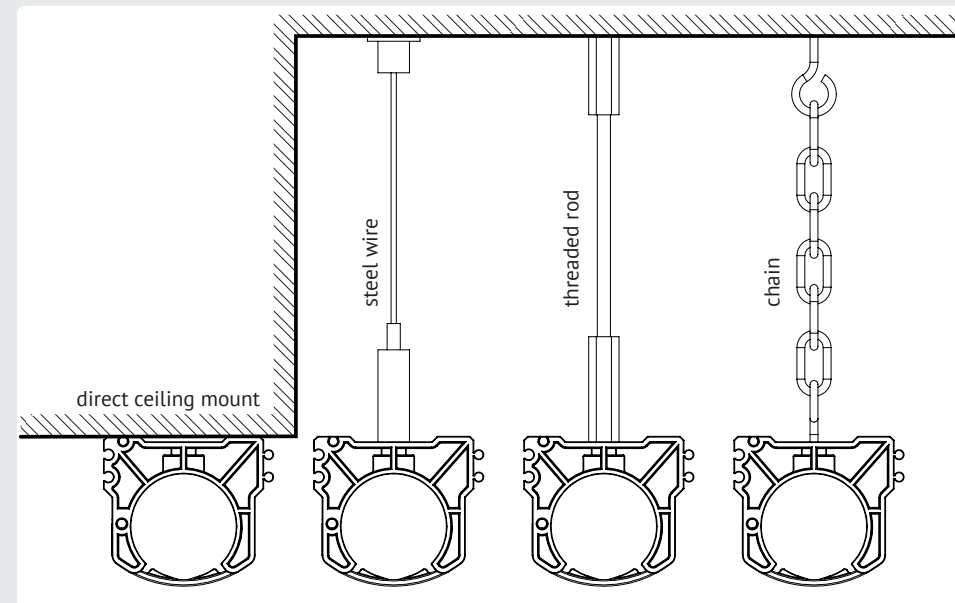
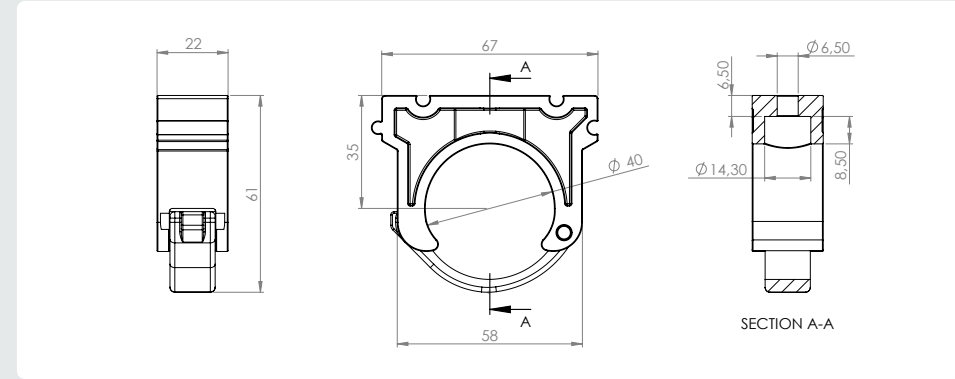
- This mounting bracket can be used to mount the DATALUX light line system.
- With this bracket, the light line can be attached directly to the ceiling, but can also be suspended with a steel cable, threaded rod or chain.
- An M6 bolt with an M6 nut fits into the mounting hole.



### Features

article nr.: LUM-LS00xx-CLMP-PP40

Dimensions (lxwxh)	71mm x 61mm x 20mm x Ø40mm
Inside diameter	Ø40 mm
Mounting diameter	M6
Material	PP
Weight	24 g
Temperature range	0°C ~ +50°C



All products, product specifications and data are subject to change without notice to improve reliability, safety, function, design or otherwise.

## INSTALL-TOOLS

### SPACER CLMP-PP40

- This mounting bracket can be used to mount the DATALUX light line system.
- With this bracket, the light line can be attached directly to the ceiling, but can also be suspended with a steel cable, threaded rod or chain.
- An M6 bolt with an M6 nut fits into the mounting hole.



## Features

article nr.: LUM-LS00xx-SPCR-PP40

Dimensions (lxwxh)

H:20 Z1:33.5 Z2:33.5 E:22 C:10 d3:6.5

Material

PVC-U

Temperature range

0°C ~ +50°C

